

SECTION 10 41 16

EMERGENCY KEY CABINETS

PART 1 – GENERAL

1.1 PURPOSE

- A. This guideline is intended to provide useful information to the Professional Service Provider (PSP) to establish a basis of design. PSP is to apply the principles of this section such that the University of Texas at Arlington (UTA) may achieve a level of quality and consistency in the design and construction of their facilities. Deviations from these guidelines must be approved by UTA and may require justification through Life Cycle Cost (LCC) analysis and submitted to UTA for approval.

1.2 LESSONS LEARNED AND DESIGN CONSIDERATIONS

- A. **Coordinate location with UTA EH&S.**

1.3 SECTION INCLUDES

- A. Fire fighters building key lock box.

1.4 RELATED REQUIREMENTS

- A. Division 01 – Product Requirements: Fundamental product requirements, substitutions and product options, delivery, storage, and handling.
- B. Division 01 – Execution Requirements: Examination, preparation, and general installation procedures; pre-installation meetings; cutting and patching; cleaning and protection; starting of systems; demonstration and instruction; closeout procedures except payment procedures; requirements for alterations work.
- C. Division 01 – Closeout Submittals: Project record documents, operation and maintenance (O&M) data, warranties and bonds.

1.5 SUBMITTALS

- A. See Division 01 for submittal procedures.
- B. Product Data: Provide manufacturer's literature for fire fighter's locked key box.

1.6 QUALITY ASSURANCE

- A. Manufacturer Qualifications: Company specializing in manufacturing products specified in this section, with not less than ten years of documented experience.

1.7 DELIVERY, STORAGE, AND HANDLING

- A. Deliver key boxes to project site in manufacturer's original packaging.
- B. Store key boxes under cover and elevated above grade.

PART 2 – PRODUCTS

2.1 MANUFACTURED UNITS

- A. Basis of Design Manufacturer: Knox Company; www.knoxbox.com.
- B. Description:
 - 1. Product: Knox-Box Rapid Entry System, 3200 Series, UL 1037 Attack Standard.
 - 2. Exterior Dimensions:
 - a. Recessed mount flange- 7"H x 7"W.
 - 3. Mounting Kit: As required for mounting.
 - 4. Lock: UL Listed. Double-action rotating tumblers and hardened steel pins accessed by a biased cut key.
 - 5. Finish: Knox-Coat® proprietary finishing process
 - 6. Colors: Manufacturer's standard, selected by Architect.
 - 7. Key Capacity: 10 keys.
 - 8. Options:
 - a. UL Listed alarm tamper switch.

PART 3 – EXECUTION

3.1 INSTALLATION

- A. Install in accordance with manufacturer's instructions.

3.2 ADJUSTING

- A. Adjust door and key way for smooth operation.

3.3 SCHEDULE

- A. One per building. If locations are not shown, verify location with Architect.

PART 4 – APPENDIX

4.1 PRODUCT DATA / CUT SHEETS

- A. The Knox Company, KnoxBox 3200

END OF SECTION

The KnoxBox 3200 is the number one high-security key lock box trusted by first responders and property owners. Store up to 10 keys to quickly gain rapid access to commercial properties.



FEATURES

- ✓ Stores maximum 10 keys. Access cards and small entry items may also fit in interior compartment but will reduce max key quantity.
- ✓ Built Knox-Rugged and secure: UL 1037, UL 1610, UL 1332, UL 437
- ✓ Finished with Knox-Coat® to protect four times better than standard powder coat
- ✓ Weather-resistant door gasket
- ✓ Hinged door

BENEFITS

- ✓ Allows rapid property access
- ✓ Reduces property damage
- ✓ Prevents forced entry into buildings
- ✓ Minimizes first responder injury
- ✓ Compliant to National Fire Code (NFPA, IFC, IBC)

OPTIONS

- ✓ ~~Knox Tamper Alert connects to building's alarm system for extra security~~
- ✓ Mount types: Recessed and Surface
- ✓ 3 color options: Black, Aluminum, Dark Bronze

ACCESSORIES

- ✓ Multi-Purpose Switch for use on electrical doors, gates and other electrical equipment
- ✓ Recess Mounting Kit for new concrete or masonry construction
- ✓ Public Safety Labels
- ✓ Tag-Out Tamper Seals
- ✓ Key Tags
- ✓ Key Rings

ORDERING SPECIFICATIONS

To insure procurement and delivery of the KnoxBox 3200, it is suggested that following specification paragraph is used:

KnoxBox surface/recessed mount with hinged door, with/without UL Listed Knox Tamper Alert. 1/4" plate steel housing, 1/2" thick steel door with interior gasket seal and stainless steel door hinge. Box and lock UL Listed. Lock has 1/8" thick stainless steel dust cover with tamper seal mounting capability.

Exterior Dimensions: Surface Mount Body - 4"H x 5"W x 3-7/8"D
Recessed Mount Flange - 7"H x 7"W

Lock: UL Listed. Double-action rotating tumblers and hardened steel pins accessed by a biased cut key.

Finish: Knox-Coat proprietary finishing process

Color: Black, Dark Bronze or Aluminum

P/N: KnoxBox 3200 (mfr's cat. ID)

Mfr's Name: KNOX COMPANY

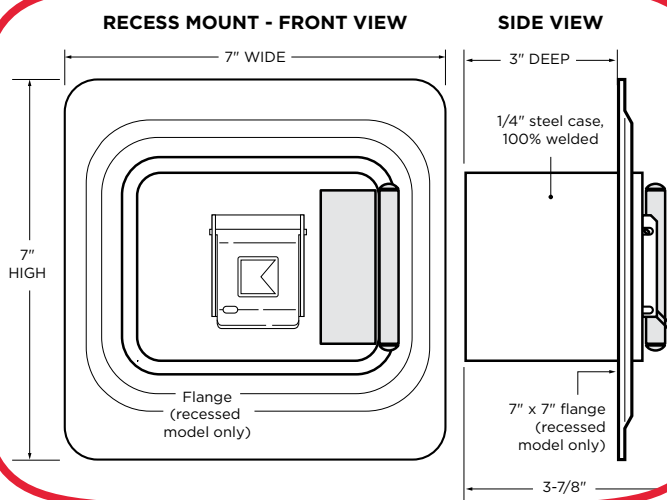
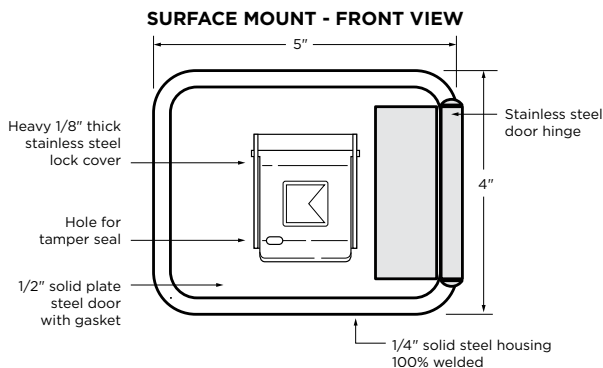


WEIGHT:

Surface Mount - 8 lbs
Recessed Mount - 9 lbs

DIMENSIONS:

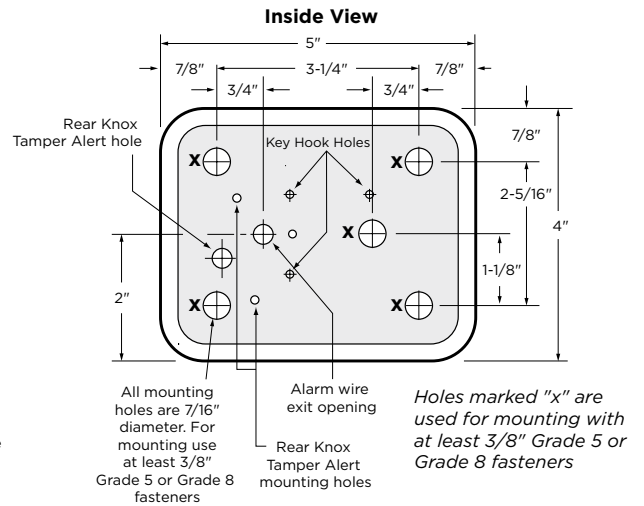
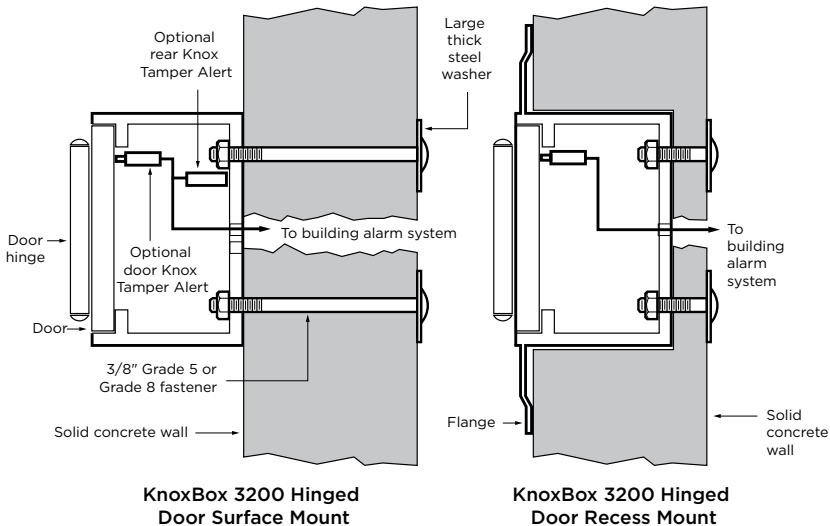
Surface Mount Body - 4"H x 5"W x 3-7/8"D
Recessed Mount Flange - 7"H x 7"W



GENERAL MOUNTING INSTRUCTIONS

Suggested minimum mounting height, 6 feet above ground.

ATTENTION: KnoxBox is a very strong device that **MUST** be mounted properly to ensure maximum security and resist physical attack.



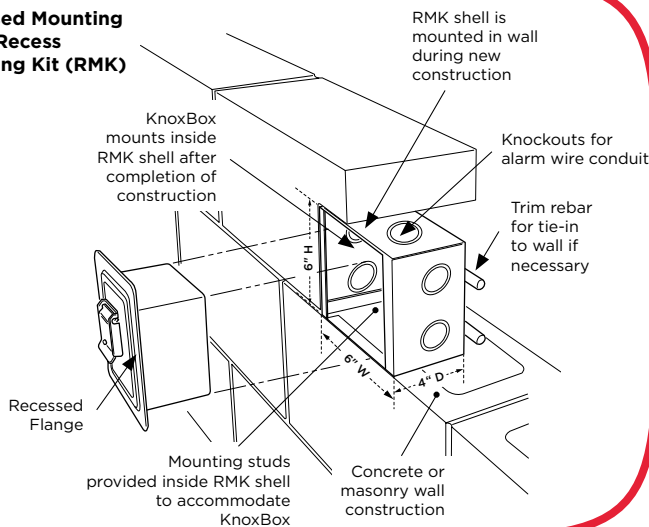
RECESS MOUNTING KIT AND INSTALLATION INSTRUCTIONS

The Recess Mounting Kit (RMK) includes shell housing and mounting hardware, which may only be used for recessed models to cast-in-place within new concrete or masonry construction. The KnoxBox is mounted into the shell housing after construction is completed.

RECESS MOUNTING KIT DIMENSIONS

Rough-in Dimensions:
6-1/2"H x 6-1/2"W x 5"D

Recessed Mounting Using Recess Mounting Kit (RMK)



IMPORTANT:

Care should be taken to ensure the front of the Recess Mounting Kit (RMK) shell housing, including the cover plate and screw heads, is flush with the wall. The RMK must be plumbed to ensure vertical alignment of the box.

ABOUT KNOX COMPANY

Over forty years ago, a unique concept in rapid access for emergency response was born. The KnoxBox®, a high-security key lock box, was designed to provide rapid access for emergency responders to reduce response times, minimize injuries and protect property from forced entry.

Today, one revolutionary lock box has grown into a complete system providing rapid access for public safety agencies, industries, military, and property owners across the world. The Knox Company is trusted by over 14,000 fire departments, law enforcement agencies, and governmental entities.

KNOX COMPANY
1601 W. DEER VALLEY RD
PHOENIX, AZ 85027

T. 800.552.5669

F. 623.687.2290

KNOXBOX.COM
INFO@KNOXBOX.COM